



E 525

CONFIGURATION OPTIONS

STANDARD VERSIONS:

GE525 ...

A0 – Short up-wards action lever, steel w/p

B0 – Long down-wards action lever, steel w/p

E0 – Short up-wards action lever, plastic w/p

F0 – Long down-wards action lever, plastic w/p

COMPLEMENTARY KIT VERSIONS:

GE525 A/B ...

1 – Includes complete CO1600, steering sensor, green & red light

2 – Includes complete CO1800, mechanical remote opening

3 – Includes ONLY red light with sensor

6 – Includes ONLY green light with sensor

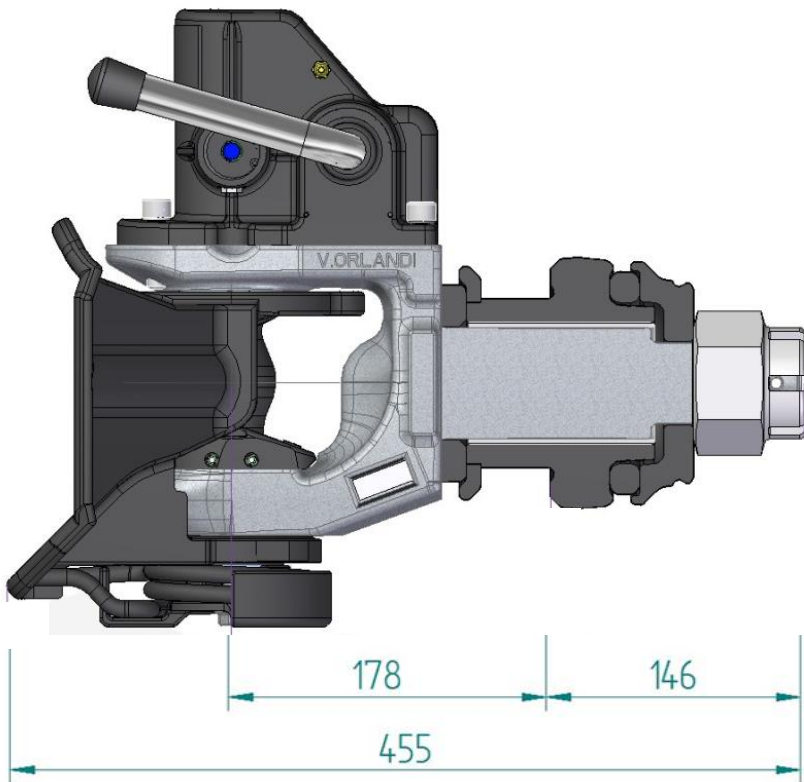
7 – Includes complete CO1400, pneu. remote opening (Kinetrol)

9 – Includes complete CO2000, pneu. remote opening

**NEW DEVELOPMENTS
PORTFOLIO**

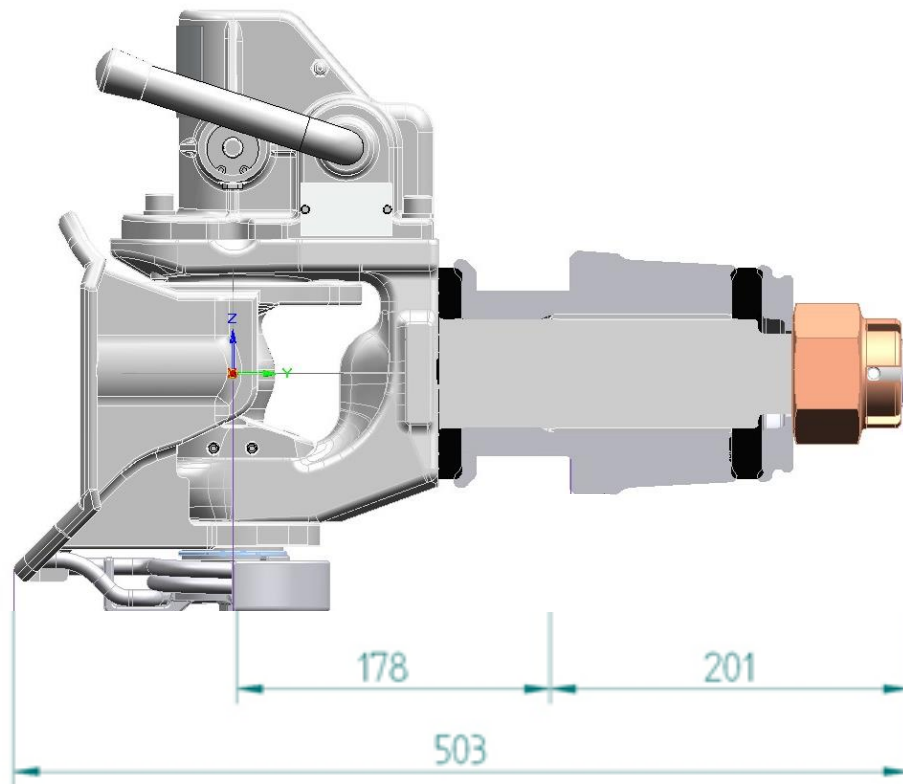


E 525



Weight: 42 Kg

E 509



Weight: 48 Kg

NEWPRODUCTS 2014
PROTOTYPING 2012

V.ORLANDI

E 525 & E550

FEATURES

LIGHTER

Save weight (6 Kg)



THE LIGHTEST 50mm IN THE MARKET

STRONGER

New target Values up to 300 kN



THE STRONGEST 50mm IN THE MARKET

SILENT

New recalling bell-mouth spring



NO MORE BELL-MOUTH SHAKING

EXTRA-SEALED

New bronze bushes



DUST FREE 50mm

SAFER

In-cabine remote indicator



SAFETY ALWAYS WITH YOU

NEW SPARES



INCREASE YOUR SALES ON SPARES

