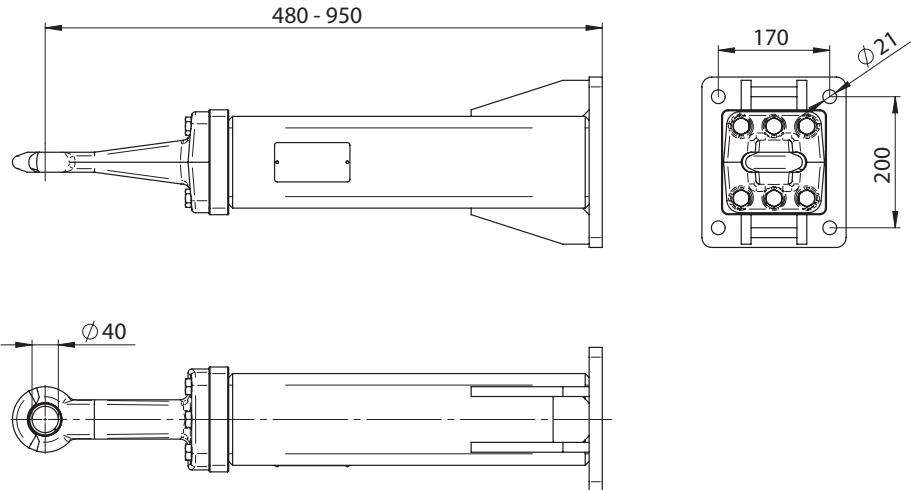
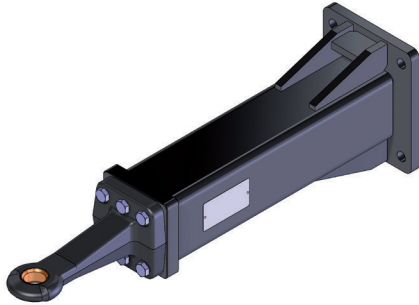


Zugeinrichtung, starr / Towing devices, rigid / Dispositif d'attelage, fixe

Typ/type/type:

WZE 135

S (kg)	V max. (kN)	Dc max. (kN)	EG
1000	36	88	e1-00-1236



Typ/type/type:

WZE 651

S (kg)	V max. (kN)	Dc max. (kN)	ECE
1000	65	125	E4-55R-010424

